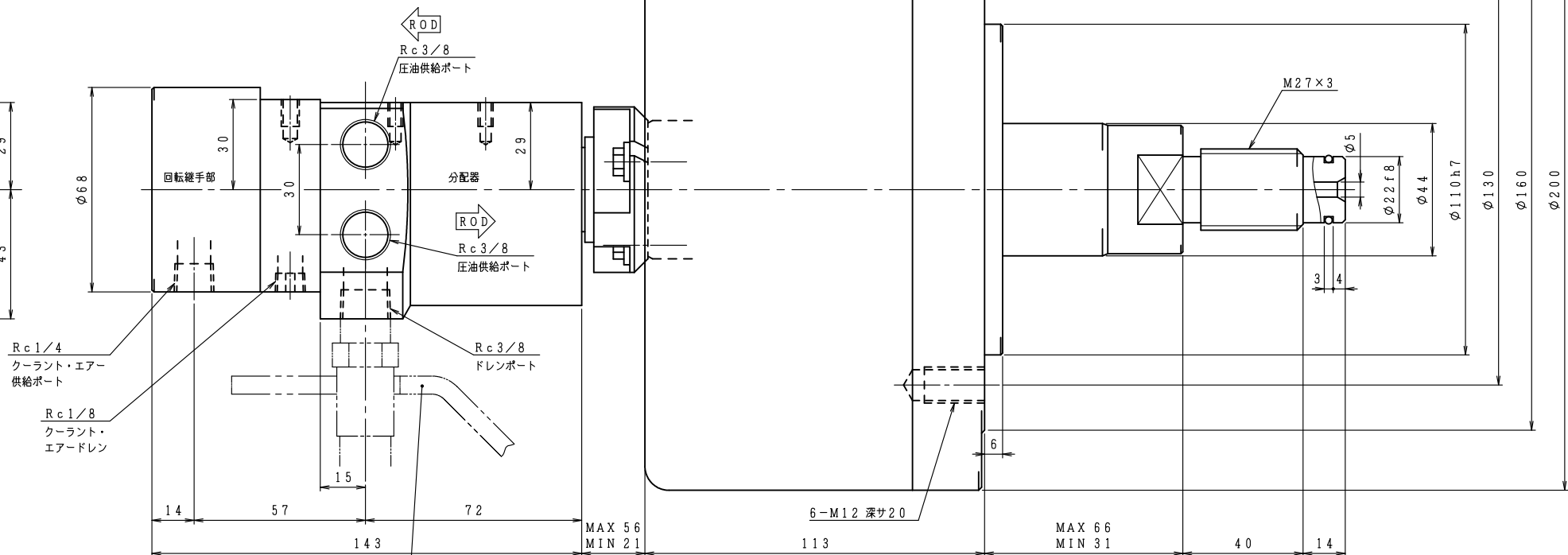
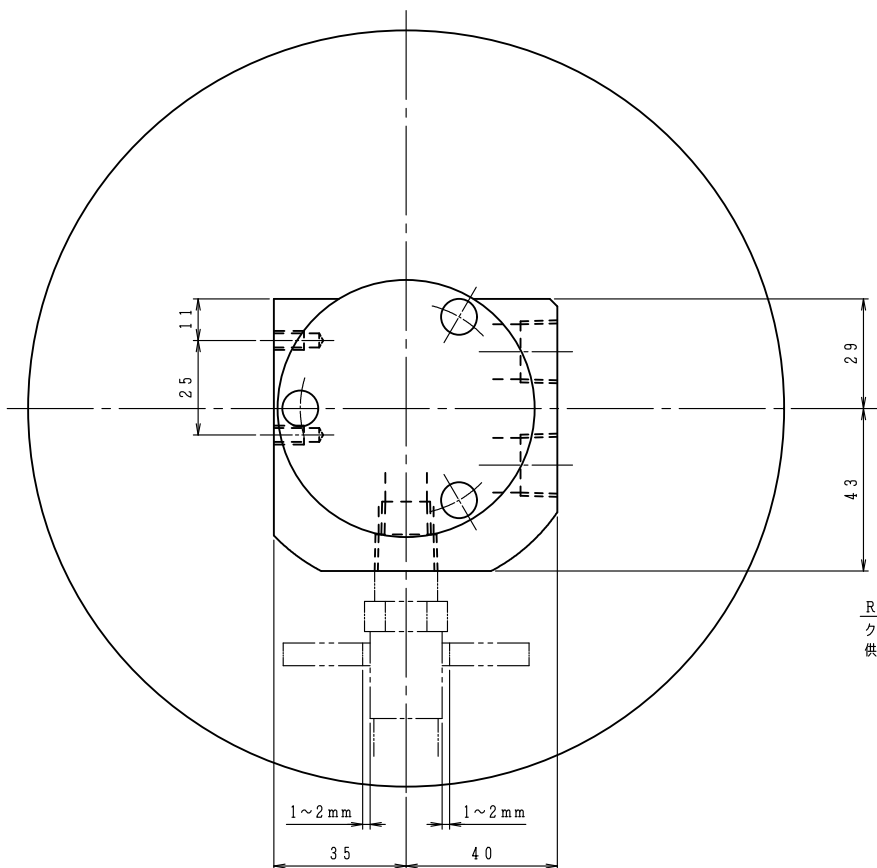
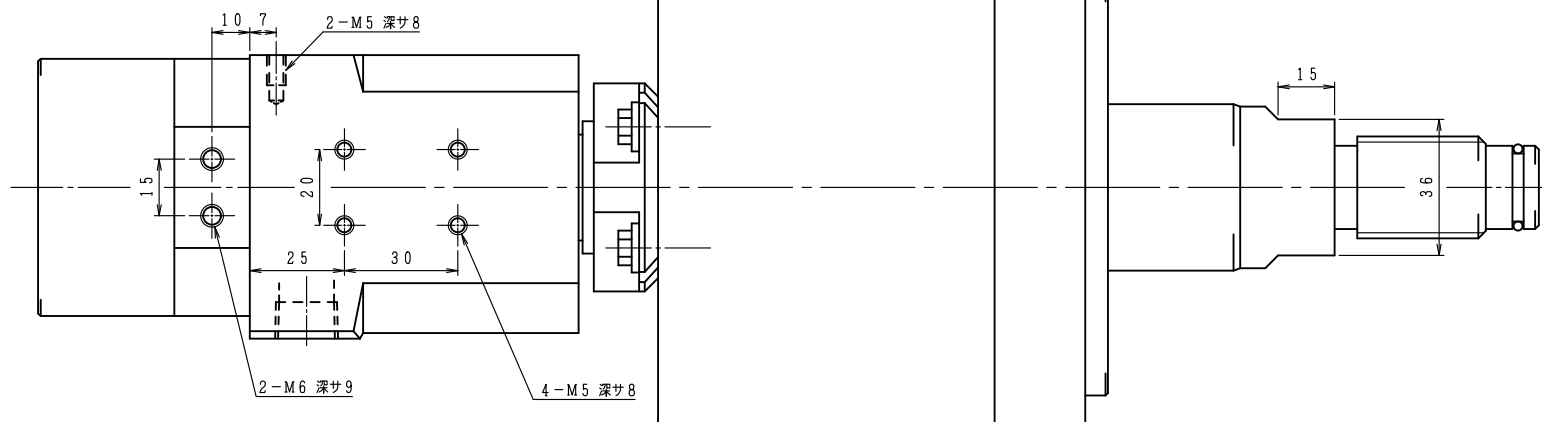
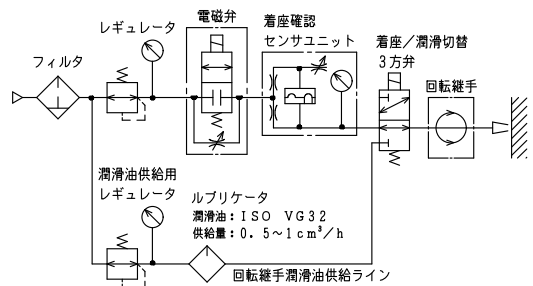


回転継手シール面潤滑方法の例



図示のように余裕を持たせたフォークを用いて回り止めを設けて下さい。

外注先コード

|       |       |       |       |       |       |       |       |       |       |       |       |       |         |       |       |       |       |       |
|-------|-------|-------|-------|-------|-------|-------|-------|-------|-------|-------|-------|-------|---------|-------|-------|-------|-------|-------|
| 0.2   | 0.3   | 0.4   | 0.5   | 0.6   | 0.7   | 0.8   | 0.9   | 1.0   | 1.1   | 1.2   | 1.3   | 1.4   | 1.5     | 1.6   | 1.7   | 1.8   | 1.9   | 2.0   |
| 2.0   | 2.2   | 2.4   | 2.6   | 2.8   | 3.0   | 3.2   | 3.4   | 3.6   | 3.8   | 4.0   | 4.2   | 4.4   | 4.6     | 4.8   | 5.0   | 5.2   | 5.4   | 5.6   |
| 5.8   | 6.0   | 6.2   | 6.4   | 6.6   | 6.8   | 7.0   | 7.2   | 7.4   | 7.6   | 7.8   | 8.0   | 8.2   | 8.4     | 8.6   | 8.8   | 9.0   | 9.2   | 9.4   |
| 9.6   | 9.8   | 10.0  | 10.2  | 10.4  | 10.6  | 10.8  | 11.0  | 11.2  | 11.4  | 11.6  | 11.8  | 12.0  | 12.2    | 12.4  | 12.6  | 12.8  | 13.0  | 13.2  |
| 13.4  | 13.6  | 13.8  | 14.0  | 14.2  | 14.4  | 14.6  | 14.8  | 15.0  | 15.2  | 15.4  | 15.6  | 15.8  | 16.0    | 16.2  | 16.4  | 16.6  | 16.8  | 17.0  |
| 17.2  | 17.4  | 17.6  | 17.8  | 18.0  | 18.2  | 18.4  | 18.6  | 18.8  | 19.0  | 19.2  | 19.4  | 19.6  | 19.8    | 20.0  | 20.2  | 20.4  | 20.6  | 20.8  |
| 21.0  | 21.2  | 21.4  | 21.6  | 21.8  | 22.0  | 22.2  | 22.4  | 22.6  | 22.8  | 23.0  | 23.2  | 23.4  | 23.6    | 23.8  | 24.0  | 24.2  | 24.4  | 24.6  |
| 24.8  | 25.0  | 25.2  | 25.4  | 25.6  | 25.8  | 26.0  | 26.2  | 26.4  | 26.6  | 26.8  | 27.0  | 27.2  | 27.4    | 27.6  | 27.8  | 28.0  | 28.2  | 28.4  |
| 28.6  | 28.8  | 29.0  | 29.2  | 29.4  | 29.6  | 29.8  | 30.0  | 30.2  | 30.4  | 30.6  | 30.8  | 31.0  | 31.2    | 31.4  | 31.6  | 31.8  | 32.0  | 32.2  |
| 32.4  | 32.6  | 32.8  | 33.0  | 33.2  | 33.4  | 33.6  | 33.8  | 34.0  | 34.2  | 34.4  | 34.6  | 34.8  | 35.0    | 35.2  | 35.4  | 35.6  | 35.8  | 36.0  |
| 36.2  | 36.4  | 36.6  | 36.8  | 37.0  | 37.2  | 37.4  | 37.6  | 37.8  | 38.0  | 38.2  | 38.4  | 38.6  | 38.8    | 39.0  | 39.2  | 39.4  | 39.6  | 39.8  |
| 40.0  | 40.2  | 40.4  | 40.6  | 40.8  | 41.0  | 41.2  | 41.4  | 41.6  | 41.8  | 42.0  | 42.2  | 42.4  | 42.6    | 42.8  | 43.0  | 43.2  | 43.4  | 43.6  |
| 43.8  | 44.0  | 44.2  | 44.4  | 44.6  | 44.8  | 45.0  | 45.2  | 45.4  | 45.6  | 45.8  | 46.0  | 46.2  | 46.4    | 46.6  | 46.8  | 47.0  | 47.2  | 47.4  |
| 47.6  | 47.8  | 48.0  | 48.2  | 48.4  | 48.6  | 48.8  | 49.0  | 49.2  | 49.4  | 49.6  | 49.8  | 50.0  | 50.2    | 50.4  | 50.6  | 50.8  | 51.0  | 51.2  |
| 51.4  | 51.6  | 51.8  | 52.0  | 52.2  | 52.4  | 52.6  | 52.8  | 53.0  | 53.2  | 53.4  | 53.6  | 53.8  | 54.0    | 54.2  | 54.4  | 54.6  | 54.8  | 55.0  |
| 55.2  | 55.4  | 55.6  | 55.8  | 56.0  | 56.2  | 56.4  | 56.6  | 56.8  | 57.0  | 57.2  | 57.4  | 57.6  | 57.8    | 58.0  | 58.2  | 58.4  | 58.6  | 58.8  |
| 59.0  | 59.2  | 59.4  | 59.6  | 59.8  | 60.0  | 60.2  | 60.4  | 60.6  | 60.8  | 61.0  | 61.2  | 61.4  | 61.6    | 61.8  | 62.0  | 62.2  | 62.4  | 62.6  |
| 62.8  | 63.0  | 63.2  | 63.4  | 63.6  | 63.8  | 64.0  | 64.2  | 64.4  | 64.6  | 64.8  | 65.0  | 65.2  | 65.4    | 65.6  | 65.8  | 66.0  | 66.2  | 66.4  |
| 66.6  | 66.8  | 67.0  | 67.2  | 67.4  | 67.6  | 67.8  | 68.0  | 68.2  | 68.4  | 68.6  | 68.8  | 69.0  | 69.2    | 69.4  | 69.6  | 69.8  | 70.0  | 70.2  |
| 70.4  | 70.6  | 70.8  | 71.0  | 71.2  | 71.4  | 71.6  | 71.8  | 72.0  | 72.2  | 72.4  | 72.6  | 72.8  | 73.0    | 73.2  | 73.4  | 73.6  | 73.8  | 74.0  |
| 74.2  | 74.4  | 74.6  | 74.8  | 75.0  | 75.2  | 75.4  | 75.6  | 75.8  | 76.0  | 76.2  | 76.4  | 76.6  | 76.8    | 77.0  | 77.2  | 77.4  | 77.6  | 77.8  |
| 78.0  | 78.2  | 78.4  | 78.6  | 78.8  | 79.0  | 79.2  | 79.4  | 79.6  | 79.8  | 80.0  | 80.2  | 80.4  | 80.6    | 80.8  | 81.0  | 81.2  | 81.4  | 81.6  |
| 81.8  | 82.0  | 82.2  | 82.4  | 82.6  | 82.8  | 83.0  | 83.2  | 83.4  | 83.6  | 83.8  | 84.0  | 84.2  | 84.4    | 84.6  | 84.8  | 85.0  | 85.2  | 85.4  |
| 85.6  | 85.8  | 86.0  | 86.2  | 86.4  | 86.6  | 86.8  | 87.0  | 87.2  | 87.4  | 87.6  | 87.8  | 88.0  | 88.2    | 88.4  | 88.6  | 88.8  | 89.0  | 89.2  |
| 89.4  | 89.6  | 89.8  | 90.0  | 90.2  | 90.4  | 90.6  | 90.8  | 91.0  | 91.2  | 91.4  | 91.6  | 91.8  | 92.0    | 92.2  | 92.4  | 92.6  | 92.8  | 93.0  |
| 93.2  | 93.4  | 93.6  | 93.8  | 94.0  | 94.2  | 94.4  | 94.6  | 94.8  | 95.0  | 95.2  | 95.4  | 95.6  | 95.8    | 96.0  | 96.2  | 96.4  | 96.6  | 96.8  |
| 97.0  | 97.2  | 97.4  | 97.6  | 97.8  | 98.0  | 98.2  | 98.4  | 98.6  | 98.8  | 99.0  | 99.2  | 99.4  | 99.6    | 99.8  | 100.0 | 100.2 | 100.4 | 100.6 |
| 100.8 | 101.0 | 101.2 | 101.4 | 101.6 | 101.8 | 102.0 | 102.2 | 102.4 | 102.6 | 102.8 | 103.0 | 103.2 | 103.4   | 103.6 | 103.8 | 104.0 | 104.2 | 104.4 |
| 104.6 | 104.8 | 105.0 | 105.2 | 105.4 | 105.6 | 105.8 | 106.0 | 106.2 | 106.4 | 106.6 | 106.8 | 107.0 | 107.2   | 107.4 | 107.6 | 107.8 | 108.0 | 108.2 |
| 108.4 | 108.6 | 108.8 | 109.0 | 109.2 | 109.4 | 109.6 | 109.8 | 110.0 | 110.2 | 110.4 | 110.6 | 110.8 | 111.0   | 111.2 | 111.4 | 111.6 | 111.8 | 112.0 |
| 112.2 | 112.4 | 112.6 | 112.8 | 113.0 | 113.2 | 113.4 | 113.6 | 113.8 | 114.0 | 114.2 | 114.4 | 114.6 | 114.8   | 115.0 | 115.2 | 115.4 | 115.6 | 115.8 |
| 116.0 | 116.2 | 116.4 | 116.6 | 116.8 | 117.0 | 117.2 | 117.4 | 117.6 | 117.8 | 118.0 | 118.2 | 118.4 | 118.6   | 118.8 | 119.0 | 119.2 | 119.4 | 119.6 |
| 119.8 | 120.0 | 120.2 | 120.4 | 120.6 | 120.8 | 121.0 | 121.2 | 121.4 | 121.6 | 121.8 | 122.0 | 122.2 | 122.4   | 122.6 | 122.8 | 123.0 | 123.2 | 123.4 |
| 123.6 | 123.8 | 124.0 | 124.2 | 124.4 | 124.6 | 124.8 | 125.0 | 125.2 | 125.4 | 125.6 | 125.8 | 126.0 | 126.2   | 126.4 | 126.6 | 126.8 | 127.0 | 127.2 |
| 127.4 | 127.6 | 127.8 | 128.0 | 128.2 | 128.4 | 128.6 | 128.8 | 129.0 | 129.2 | 129.4 | 129.6 | 129.8 | 130.0   | 130.2 | 130.4 | 130.6 | 130.8 | 131.0 |
| 131.2 | 131.4 | 131.6 | 131.8 | 132.0 | 132.2 | 132.4 | 132.6 | 132.8 | 133.0 | 133.2 | 133.4 | 133.6 | 133.8   | 134.0 | 134.2 | 134.4 | 134.6 | 134.8 |
| 135.0 | 135.2 | 135.4 | 135.6 | 135.8 | 136.0 | 136.2 | 136.4 | 136.6 | 136.8 | 137.0 | 137.2 | 137.4 | 137.6   | 137.8 | 138.0 | 138.2 | 138.4 | 138.6 |
| 138.8 | 139.0 | 139.2 | 139.4 | 139.6 | 139.8 | 140.0 | 140.2 | 140.4 | 140.6 | 140.8 | 141.0 | 141.2 | 141.4   | 141.6 | 141.8 | 142.0 | 142.2 | 142.4 |
| 142.6 | 142.8 | 143.0 | 143.2 | 143.4 | 143.6 | 143.8 | 144.0 | 144.2 | 144.4 | 144.6 | 144.8 | 145.0 | 145.2   | 145.4 | 145.6 | 145.8 | 146.0 | 146.2 |
| 146.4 | 146.6 | 146.8 | 147.0 | 147.2 | 147.4 | 147.6 | 147.8 | 148.0 | 148.2 | 148.4 | 148.6 | 148.8 | 149.0   | 149.2 | 149.4 | 149.6 | 149.8 | 150.0 |
| 150.2 | 150.4 | 150.6 | 150.8 | 151.0 | 151.2 | 151.4 | 151.6 | 151.8 | 152.0 | 152.2 | 152.4 | 152.6 | 152.8   | 153.0 | 153.2 | 153.4 | 153.6 | 153.8 |
| 154.0 | 154.2 | 154.4 | 154.6 | 154.8 | 155.0 | 155.2 | 155.4 | 155.6 | 155.8 | 156.0 | 156.2 | 156.4 | 156.6   | 156.8 | 157.0 | 157.2 | 157.4 | 157.6 |
| 157.8 | 158.0 | 158.2 | 158.4 | 158.6 | 158.8 | 159.0 | 159.2 | 159.4 | 159.6 | 159.8 | 160.0 | 160.2 | 160.4   | 160.6 | 160.8 | 161.0 | 161.2 | 161.4 |
| 161.6 | 161.8 | 162.0 | 162.2 | 162.4 | 162.6 | 162.8 | 163.0 | 163.2 | 163.4 | 163.6 | 163.8 | 164.0 | 164.2   | 164.4 | 164.6 | 164.8 | 165.0 | 165.2 |
| 165.4 | 165.6 | 165.8 | 166.0 | 166.2 | 166.4 | 166.6 | 166.8 | 167.0 | 167.2 | 167.4 | 167.6 | 167.8 | 168.0   | 168.2 | 168.4 | 168.6 | 168.8 | 169.0 |
| 169.2 | 169.4 | 169.6 | 169.8 | 170.0 | 170.2 | 170.4 | 170.6 | 170.8 | 171.0 | 171.2 | 171.4 | 171.6 | 171.8   | 172.0 | 172.2 | 172.4 | 172.6 | 172.8 |
| 173.0 | 173.2 | 173.4 | 173.6 | 173.8 | 174.0 | 174.2 | 174.4 | 174.6 | 174.8 | 175.0 | 175.2 | 175.4 | 175.6   | 175.8 | 176.0 | 176.2 | 176.4 | 176.6 |
| 176.8 | 177.0 | 177.2 | 177.4 | 177.6 | 177.8 | 178.0 | 178.2 | 178.4 | 178.6 | 178.8 | 179.0 | 179.2 | 179.4   | 179.6 | 179.8 | 180.0 | 180.2 | 180.4 |
| 180.6 | 180.8 | 181.0 | 181.2 | 181.4 | 181.6 | 181.8 | 182.0 | 182.2 | 182.4 | 182.6 | 182.8 | 183.0 | 183.2   | 183.4 | 183.6 | 183.8 | 184.0 | 184.2 |
| 184.4 | 184.6 | 184.8 | 185.0 | 185.2 | 185.4 | 185.6 | 185.8 | 186.0 | 186.2 | 186.4 | 186.6 | 186.8 | 187.0   | 187.2 | 187.4 | 187.6 | 187.8 | 188.0 |
| 188.2 | 188.4 | 188.6 | 188.8 | 189.0 | 189.2 | 189.4 | 189.6 | 189.8 | 190.0 | 190.2 | 190.4 | 190.6 | 190.8   | 191.0 | 191.2 | 191.4 | 191.6 | 191.8 |
| 192.0 | 192.2 | 192.4 | 192.6 | 192.8 | 193.0 | 193.2 | 193.4 | 193.6 | 193.8 | 194.0 | 194.2 | 194.4 | 194.6   | 194.8 | 195.0 | 195.2 | 195.4 | 195.6 |
| 195.8 | 196.0 | 196.2 | 196.4 | 196.6 | 196.8 | 197.0 | 197.2 | 197.4 | 197.6 | 197.8 | 198.0 | 198.2 | 198.4   | 198.6 | 198.8 | 199.0 | 199.2 | 199.4 |
| 199.6 | 199.8 | 200.0 | 200.2 | 200.4 | 200.6 | 200.8 | 201.0 | 201.2 | 201.4 | 201.6 | 201.8 | 202.0 | 202.2   | 202.4 | 202.6 | 202.8 | 203.0 | 203.2 |
| 203.4 | 203.6 | 203.8 | 204.0 | 204.2 | 204.4 | 204.6 | 204.8 | 205.0 | 205.2 | 205.4 | 205.6 | 205.8 | 206.0   | 206.2 | 206.4 | 206.6 | 206.8 | 207.0 |
| 207.2 | 207.4 | 207.6 | 207.8 | 208.0 | 208.2 | 208.4 | 208.6 | 208.8 | 209.0 | 209.2 | 209.4 | 209.6 | 209.8   | 210.0 | 210.2 | 210.4 | 210.6 | 210.8 |
| 211.0 | 211.2 | 211.4 | 211.6 | 211.8 | 212.0 | 212.2 | 212.4 | 212.6 | 212.8 | 213.0 | 213.2 | 213.4 | 213.6   | 213.8 | 214.0 | 214.2 | 214.4 | 214.6 |
| 214.8 | 215.0 | 215.2 | 215.4 | 215.6 | 215.8 | 216.0 | 216.2 | 216.4 | 216.6 | 216.8 | 217.0 | 217.2 | 217.4   | 217.6 | 217.8 | 218.0 | 218.2 | 218.4 |
| 218.6 | 218.8 | 219.0 | 219.2 | 219.4 | 219.6 | 219.8 | 220.0 | 220.2 | 220.4 | 220.6 | 220.8 | 221.0 | 221.2   | 221.4 | 221.6 | 221.8 | 222.0 | 222.2 |
| 222.4 | 222.6 | 222.8 | 223.0 | 223.2 | 223.4 | 223.6 | 223.8 | 224.0 | 224.2 | 224.4 | 224.6 | 224.8 | 225.0   | 225.2 | 225.4 | 225.6 | 225.8 | 226.0 |
| 226.2 | 226.4 | 226.6 | 226.8 | 227.0 | 227.2 | 227.4 | 227.6 | 227.8 | 228.0 | 228.2 | 228.4 | 228.6 | 228.8</ |       |       |       |       |       |