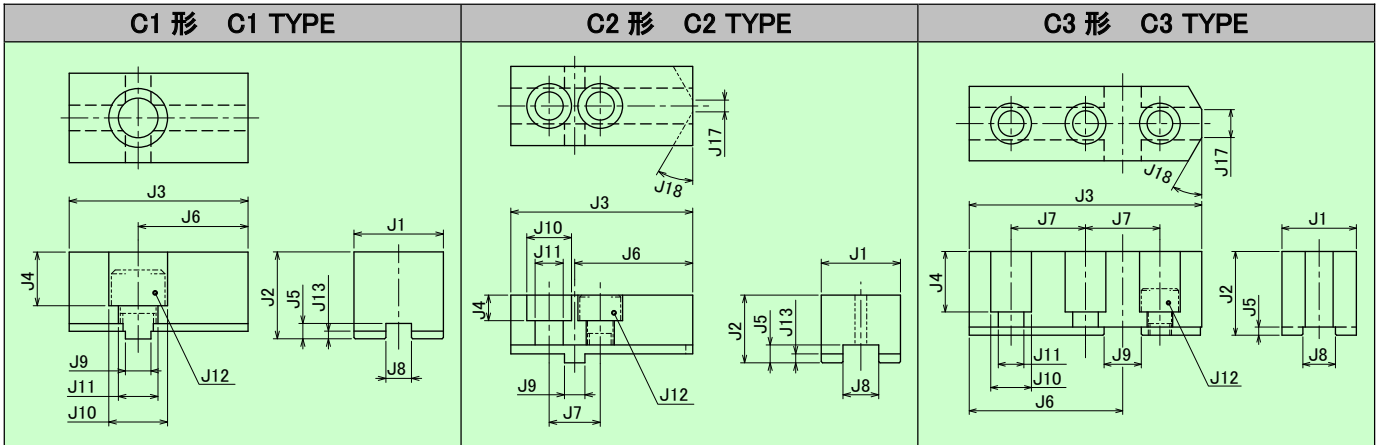


標準生爪 (クロスキー形)

STANDARD SOFT BLANK JAW (TONGUE AND GROOVE TYPE)

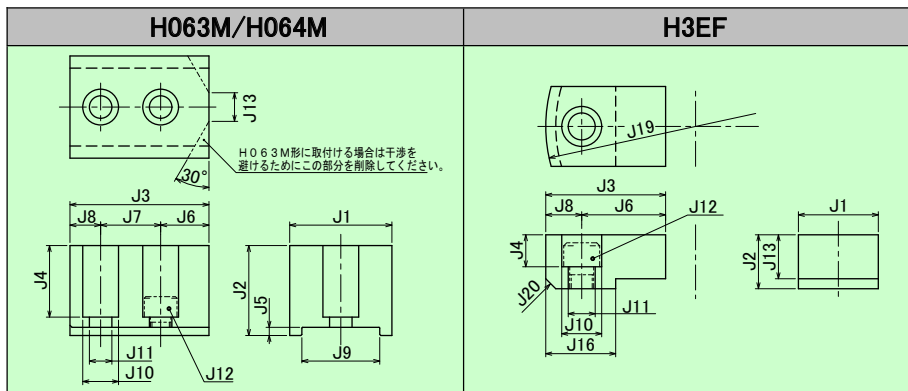


チャック形式番号 Chuck series number				J1	J2	J3	J4	J5	J6	J7	J8	J9	J10	J11	J12	J13	J17	J18	質量 kg (1個) Weight	爪形式 Jaw type		
H011MC				4	25	22	50	13	5.5	28	---	8	8	17.5	11	M10	2.5	---	---	0.2	C1	
H011MC				5	30	27	56	15	5.5	33	---	8	8	20	13.5	M12	2.5	---	---	0.3		
H011MC		H014M		6	35	34	70	21	6	43	---	10	10	23	15.5	M14	3	---	---	0.5		
			H021MB	6	35	33.5	70	18	7	47	20	14	8	17.5	11	M10	3.5	8	30°	0.5	C2	
	H013M		(H055M)	6	35	33.5	70	18	7	47	20	14	8	17.5	11	M10	3.5	(2)	(45°)	0.5		
H011MC	H013M	H014M	H021MB	(H055M)	8	40	44.5	84	29	7	53	26	16	12	20	13.5	M12	3.5	(2)	(45°)		1.0
H011MC	H013M	H014M	H021MB	(H055M)	10	50	49.5	100	32	7	62	32	18	15	23	15.5	M14	3.5	(2)	(45°)		1.6
H011MC	H013M		H021MB	(H055M)	12	60	54.5	120	36	7	78	36	20	17	26	17.5	M16	3.5	(2)	(60°)	2.4	
H018M				8	32	36	100	26	3.5	66	32	14	16	17.5	11	M10	---	12	30°	0.8	C3	
				10	35	43	110	33	3.5	72	34	16	16	20	13.5	M12	---	12	30°	1.1		
				12	40	50	130	40	3.5	85	40	16	20	20	13.5	M12	---	12	30°	1.9		
				15	40	50	160	40	3.5	107.5	55	16	25	20	13.5	M12	---	12	30°	2.3		

注:()で表示されたH055M形チャックには標準生爪は付属していませんが、表中の生爪を取付けることができます。その場合はJ17, J18の追加加工が必要となります。
 Note: Although standard soft blank jaws are not attached to model H055M series described in (), ones that are contained in this table can be mounted. In that case additional machining of dimension J17 and J18 is necessary.

標準生爪 (H063M/H064M・H3EF 形)

STANDARD SOFT BLANK JAW (TYPE H063M/H064M・H3EF)



チャック形式番号 Chuck series number		J1	J2	J3	J4	J5	J6	J7	J8	J9	J10	J11	J12	J13	J16	J19	J20	質量 kg (1個) Weight
H063M H064M	6	50	44	68	35	4	23.64	29.36	15	38.1	17.5	11	M10	14	---	---	---	1.0
	8	55	54	83	43.5	4	33.87	34.13	15	44.4	20	13.5	M12	18	---	---	---	1.6
	10	70	64	100	52.5	4	36.55	44.45	19	57.1	26	17.5	M16	40	---	---	---	2.9
	12	70	64	110	52.5	4	46.55	44.45	19	57.1	26	17.5	M16	70	---	---	---	3.2
H3EF	6	32	22	47	12	---	32	---	15	---	17.5	11	M10	17	30	118	C5	0.2
	8	40	27	60	16	---	42	---	18	---	20	13.5	M12	22	35	150	C5	0.4