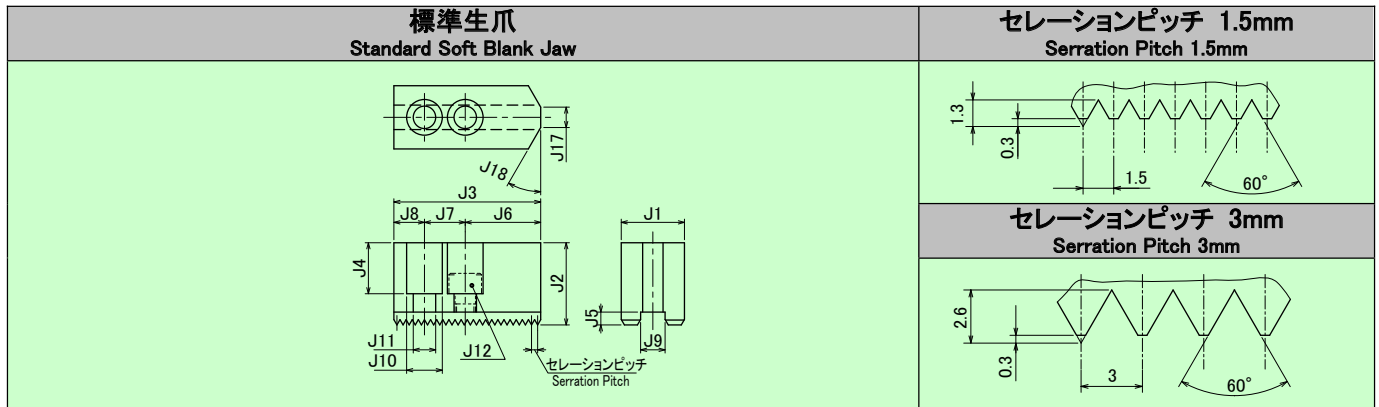


# 標準生爪 (セレーション形)

## STANDARD SOFT BLANK JAW ( SERRATION TYPE )



チャック形式番号 Chuck series number	セレーションピッチ Serration Pitch	J1	J2	J3	J4	J5	J6	J7	J8	J9	J10	J11	J12	J16	J17	J18	質量 kg (1個) Weight	
H01MA	4	1.5	25	25	54	14	5	30	14	10	10	13.5	9	M8	---	8	30°	0.2
	5	1.5	25	25	58.5	14	5	31.5	19	8	10	14	9	M8	---	---	---	0.2
	6	3	31	40	72	25	6	37	20	15	12	17.5	11	M10	---	---	---	0.6
	6S	1.5	31	40	70.5	26	5	35.5	20	15	12	17.5	11	M10	---	---	---	0.6
	8	3	34	40	90	22	6	45	25	20	14	20	13.5	M12	---	---	---	0.8
	8S	1.5	34	40	90	23	5	45	25	20	14	20	13.5	M12	---	---	---	0.8
	10	3	40	40	111	22	6	51	30	30	16	20	13.5	M12	---	---	---	1.2
	10S	1.5	40	40	111	23	5	51	30	30	16	20	13.5	M12	---	---	---	1.2
	12	3	50	50	129	32	6	60	30	39	18	23	15.5	M14	---	---	---	2.2
H01MA6	12S	1.5	50	50	129	33	5	60	30	39	18	23	15.5	M14	---	---	---	2.2
	15	3	65	70	156	50	8	72	50	34	26	32	22	M20	---	---	---	4.7
	A5-J	1.5	31	40	70.5	26	5	35.5	20	15	12	17.5	11	M10	---	---	---	0.6
H022M	6	1.5	30	30	70.5	20	5	36	20	14.5	12	17.5	11	M10	---	---	---	0.4
	8	1.5	35	40	90	26	5	45	25	20	16	20	13.5	M12	---	---	---	0.7
	10	1.5	40	50	105	35	5	51	30	24	18	23	15.5	M14	---	---	---	1.3
	12	3	50	60	126	42	6	60	40	26	21	26	17.5	M16	---	---	---	2.4
H027M H037M	4	1.5	25	25	47.5	16	4	22	16	9.5	11	14	9	M8	---	4	30°	0.2
	5	1.5	25	25	47.5	16	4	22	16	9.5	11	14	9	M8	---	4	30°	0.2
	6	1.5	35	35	66	22	5	31.5	20	14.5	12	17.5	11	M10	---	---	---	0.6
	8	1.5	40	40	85.5	26	5	40.5	25	20	16	20	13.5	M12	---	---	---	1.0
	10	1.5	45	45	108	30	5	54	30	24	18	23	15.5	M14	---	---	---	1.5
	12	1.5	50	60	111	42	5	51	35	25	21	26	17.5	M16	---	---	---	2.2
H032M	15	3	60	66	138	47	8	66	42	30	26	32	22	M20	---	---	---	3.9
	6	1.5	28	30	60	21	4	30	16	14	11	14	9	M8	---	---	---	0.4
H3KT	6	1.5	26	28	66	16	5	34	20	12	12	17.5	11	M10	54	5	30°	0.3
	8	1.5	35	38	95	23	5	46	25	24	14	20	13.5	M12	75	12	30°	0.8
	10	1.5	40	42	110	27	5	50	30	30	16	20	13.5	M12	90	15	15°	1.2
	12	1.5	50	50	111	33	5	60	30	21	21	26	17.5	M16	---	---	---	1.8

・標準生爪は機械構造用炭素鋼 S48C を使用しています。 標準生爪のご注文には、チャック形番をご指示ください。  
 ・Standard soft blank jaws are made of carbon steel, JIS S48C. (SAE 1045 or ISO C50 is equivalent to JIS S48C.) When ordering jaws, specify chuck model number.  
 ・ジョーナットがご入用の時には、併せてお申し付けください。・特殊な生爪または硬爪をご希望の際は、次の条件をご指示ください。  
 ・Also specify jaw nuts if needed. Specify the following information if special jaws are necessary.  
加工物の形状 大きさ 切削条件 把握個所  
Shape of work piece Size of work piece Machining condition Gripping position

### 標準生爪共用表 COMPATIBILITY OF SOFT BLANK JAW

チャック形式番号 Chuck series number	共用チャック形番 Compatible chuck series number				
H01MA	4	H022M5	H024M5	H012D4	
	6			H010D6	
	8			H010D8	
	15	H01MA18	H01MA21	H01MA24	
H022M	6	H023M8	H024M6	H024D6	
	8	H023M10	H024M8	H024D8	
	10	H023M12	H024M10		
	12	H023M15	H024M12		
H037M	6	H032M8	H027M6	H012D6	H037D6
	8	H032M10	H027M8	H012D8	H037D8
	10	H032M12	H027M10	H012D10	
	12		H027M12		
H027M	15		H037M15	H047M15	
				H034M15	